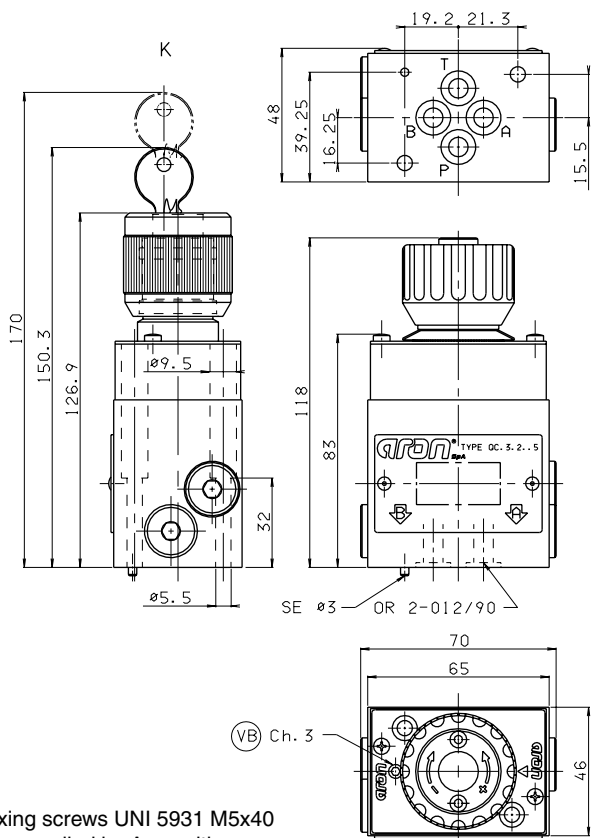
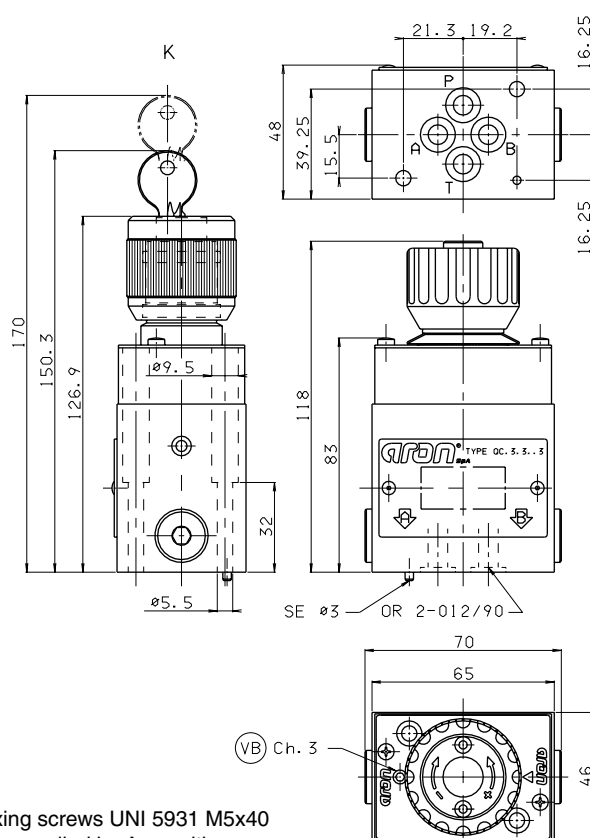


QC.3.2... 2 WAY FLOW RATE REGULATOR

QC.3.3... 3 WAY FLOW RATE REGULATOR



Fixing screws UNI 5931 M5x40 are supplied by Aron with material specifications min. 12.9
Tightening torque 6.5÷7 Nm / 0.65÷0.70 Kgm



Fixing screws UNI 5931 M5x40 are supplied by Aron with material specifications min. 12.9
Tightening torque 6.5÷7 Nm / 0.65÷0.70 Kgm

File: ETQC3S00S

00/2000/e

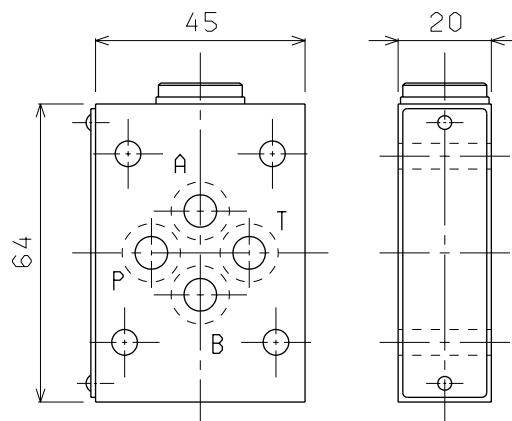
AM.3.ABU... CHECK VALVE HOLDER FOR REGULATORS TYPE QC.3...



This check valve holder must be fitted underneath the QC valve when the reverse flow function is needed.

ORDERING CODE

- AM** Modulating valve
- 3** CETOP 3/NG06
- ABU** External check valve for QC.3.*.
- 3** For 2 way and 3 way
- 00** No variant
- 1** Serial No.



Weight: 0,4 Kg
Fixing screws for regulator and modular check valve M5x60 UNI 5931 - 12.9 K